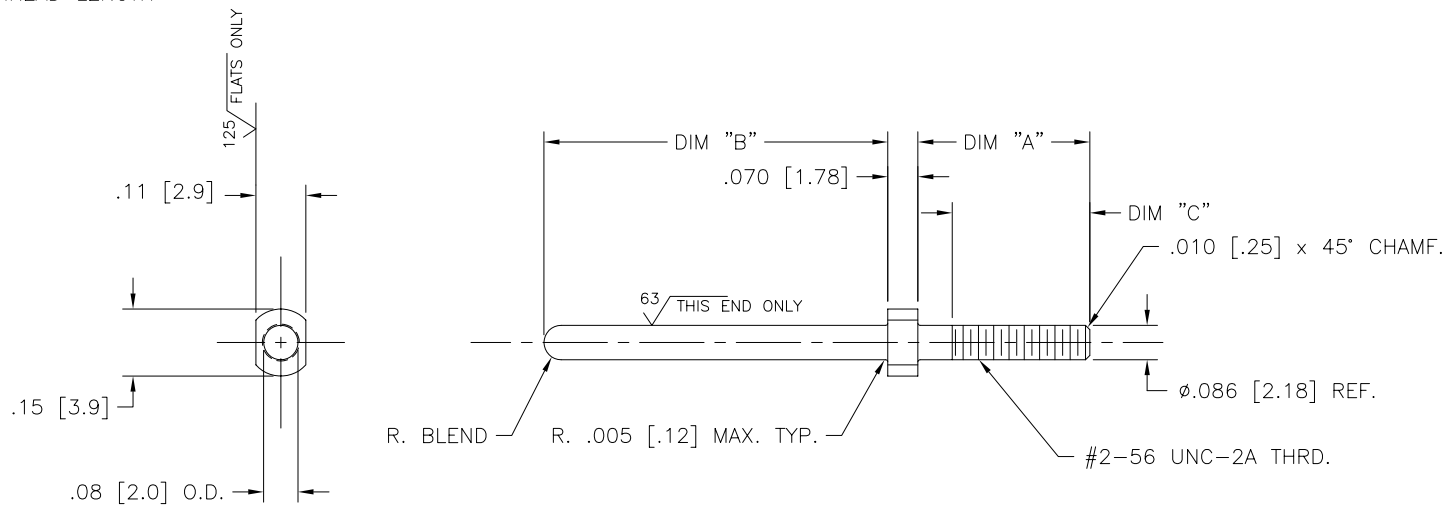


PRODUCT NO. NOTE 8	DIM "A"	DIM "B"	MATERIAL	DIM "C"*	SHEET NO.	APPLICATION NOTES
77031-102 77031-102LF	.37/9.5	.585/14.86	STAINLESS STEEL AISI 430 or 416	.320/8.13	SEE SHT. 2	3
77031-103 77031-103LF	.50/12.7	.585/14.86		.320/8.13	SEE SHT. 3	4
77031-106 77031-106LF	.43/10.9	.585/14.86		.320/8.13	SEE SHT. 4	5
77031-113 77031-113LF	.75/19.1	.585/14.86		.320/8.13	SEE SHT. 5	6 AND 7

\* MINIMUM THREAD LENGTH

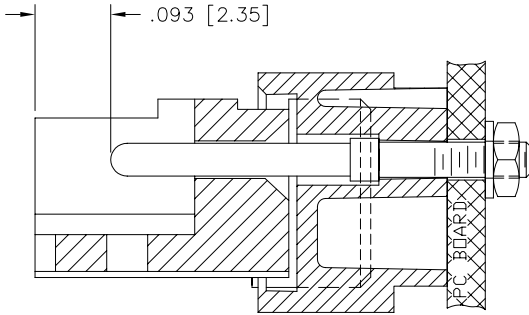
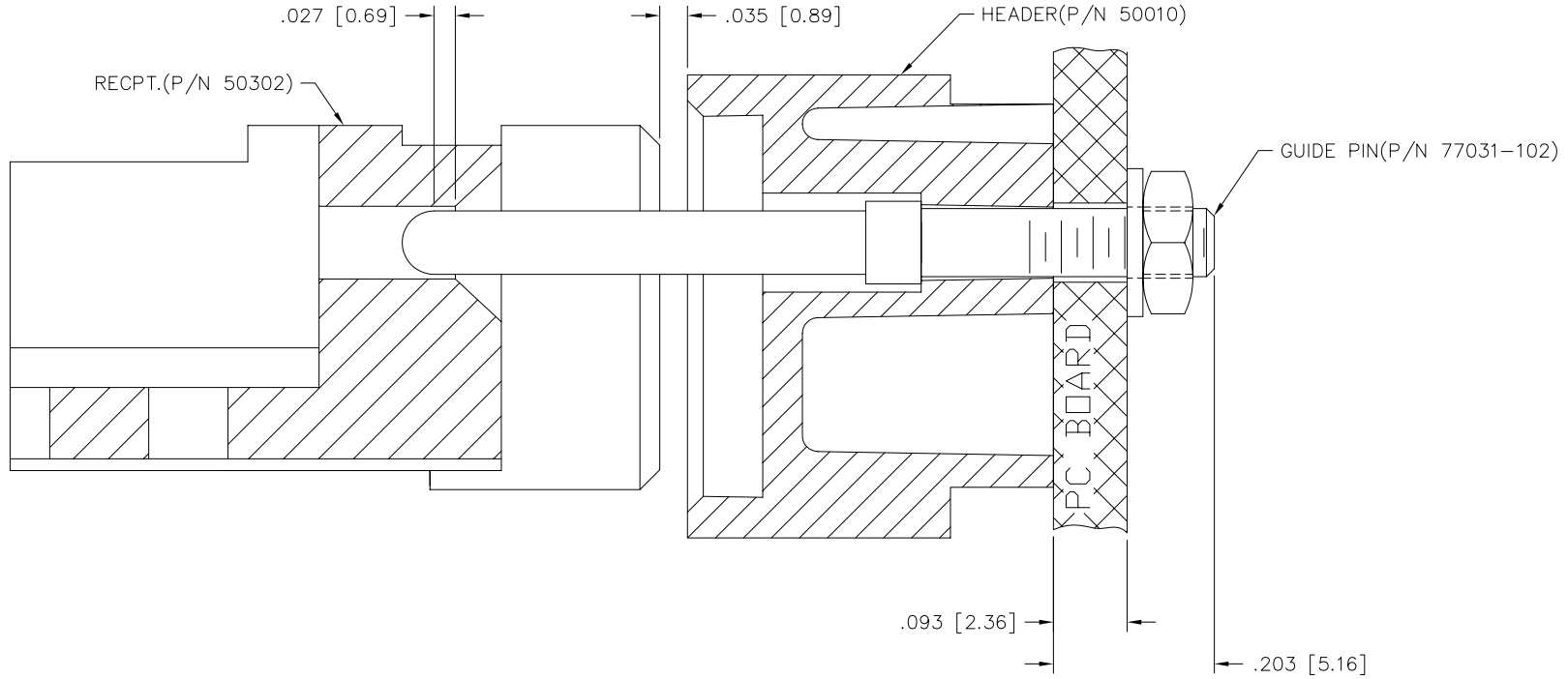


NOTES:

- MECHANICAL GUIDANCE ONLY.
- GUIDE PIN IS .027 [.68] LONGER THAN WHAT IS REQUIRED TO ALIGN CONNECTORS WHEN HOUSING FACES ARE .035 [.88] APART.
- SHROUD CAN'T BE USED WITH THIS GUIDE PIN.
- GUIDE PIN MAY BE USED WITH A SHROUD OR SCREWED TO A .187 [4.74] PCB.
- GUIDE PIN MAY BE USED WITH...  
... SHROUD AND .125 [3.17] PCB.  
... NUT, WASHER, AND .125 [3.17] PCB.
- GUIDE PIN MAY USE SHROUD OR SCREW.  
APPLICATION MAY USE MOUNTING FRAME.
- MAXIMUM STACK IS .480 [12.20].
- ADD AN LF SUFFIX TO PART NUMBERS FOR PRODUCT THAT MEETS EUROPEAN UNION DIRECTIVES AND OTHER COUNTRY REGULATIONS AS DESCRIBED IN GS-22-008.
- THIS PRODUCT IS NOT INTENDED TO BE EXPOSED TO MANUFACTURING SOLDER PROCESSES.

mat'l. code SEE TABLE		surface ISO 1302 ✓		tolerance ISO 406 ISO 1101		projection INCH/MM		product family HPC				
ltr	ecm	no	dr	date	tolerances unless otherwise specified		title		sheet 1 of 5 size			
D	V20385	MRC		3/27/92	angles	.XX±.01/.3		CENTER GUIDE PIN		A3		
E	V32128	GIP		11/18/93	linear	.xxx±.005/.13		77031				
F	v00717	LSS		3/22/00	0'±2'	.xxxx±.0020/.05		scale 1:1				
G	v05-0964	HTB		10/18/05	dr	LSANDERS	3/22/00		dwg no		sheet 1 of 5 size	
H	M06-0260	MHT		7/07/06	enr	M.GRAY	3/22/00		FCJ		A3	
					chr	M.GRAY	3/22/00		type		Product Customer Drawing	
					appd	M.GRAY	3/22/00					
sheet	revision	H	H	H	H	H	H					
index	sheet	1	2	3	4	5						

PRODUCT NO.  
77031-102



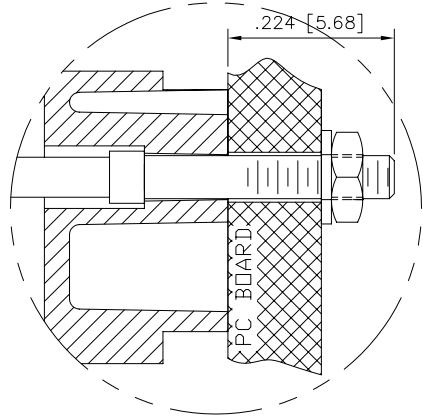
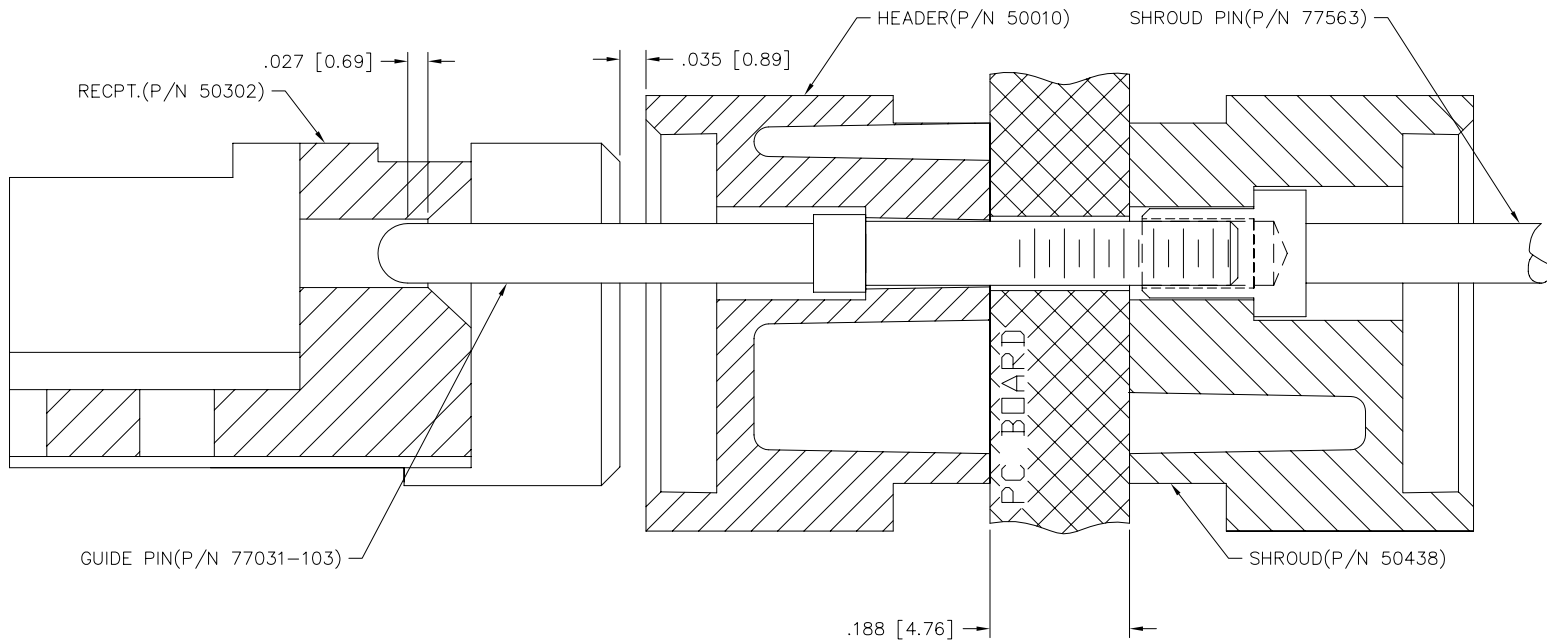
HOUSINGS FULLY MATED  
(SCALE 20:1)

mat'l. code SEE TABLE		surface ISO 1302 ✓	tolerance ISO 406 ISO 1101	projection ⊕	product family HPC
ltr	ecn	no	dr	date	tolerances unless otherwise specified
H					angles linear 0°±2'
					.XX±.01/.3 .XXX±.005/.13 .XXX±.0020/.051
					scale 1:1
			dr	LSANDERS	3/22/00
			enr	M.GRAY	3/22/00
			chr	M.GRAY	3/22/00
			appd	M.GRAY	3/22/00
sheet	revision				
index	sheet				
				projection symbol	title CENTER GUIDE PIN
				INCH/MM	dwg no 77031
				scale 1:1	sheet 2 of 5 size A3
				FCJ logo	type Product Customer Drawing



Copyright FCJ

PRODUCT NO  
77031-103

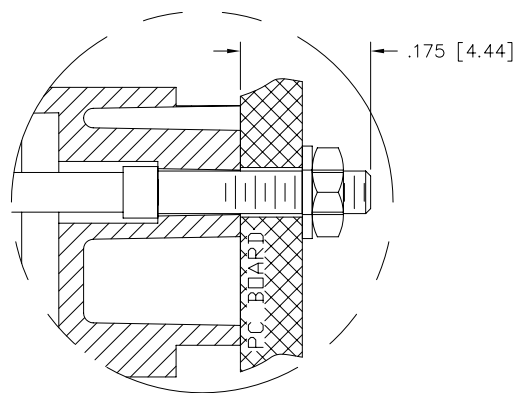
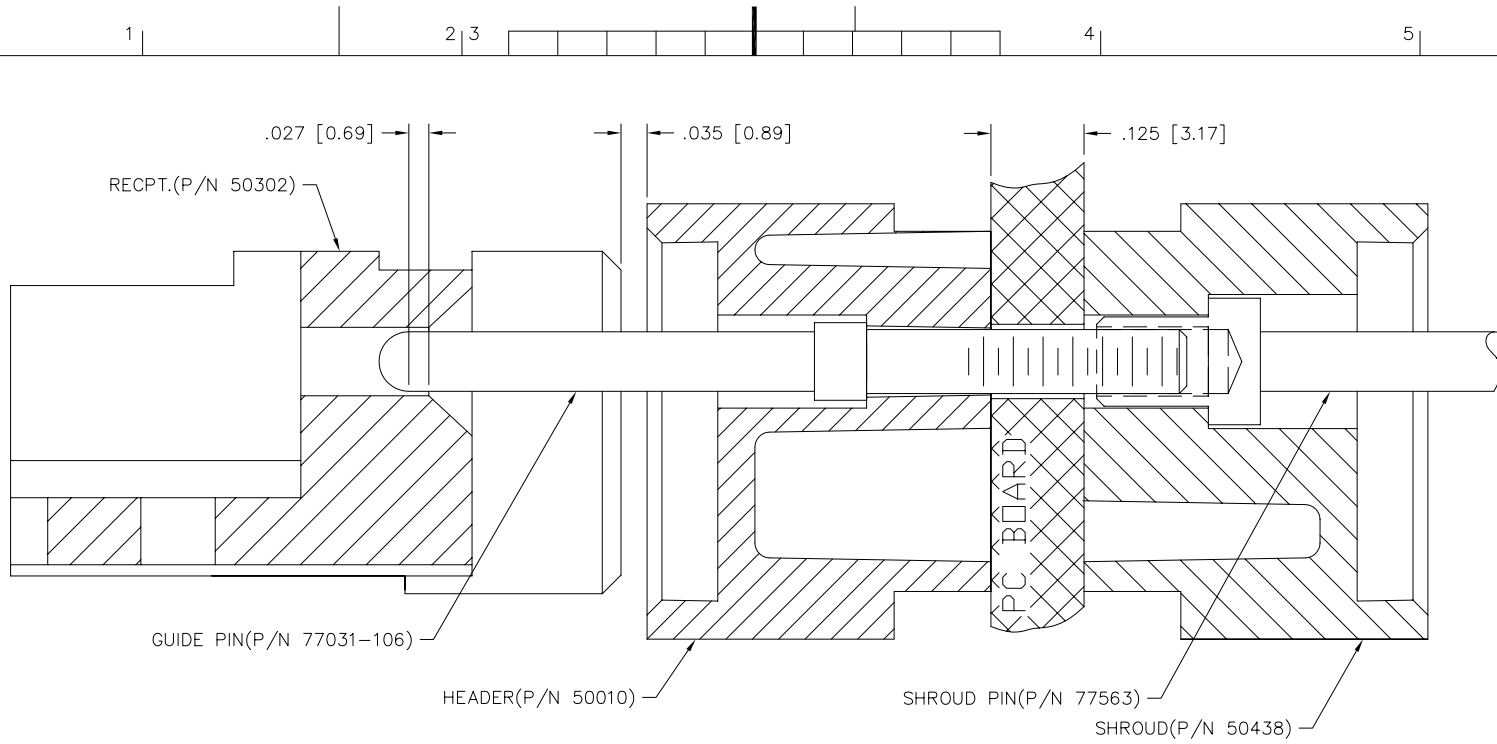


BOARD MOUNTED OPTION  
(SCALE 30:1)

mat'l. code SEE TABLE		surface ISO 1302 ✓	tolerance ISO 406 ISO 1101	projection ASME Y14.5	product family HPC
ltr	ecn no	dr	date	tolerances unless otherwise specified	title
H				angles linear 0°±2'	INCH/MM SCALE 1:1
				.XX±.01/.3 .XXX±.005/.13 .XXX±.0020/.051	sheet 3 of 5 size
		dr	LSANDERS	3/22/00	77031 A3
		enr	M.GRAY	3/22/00	type Product Customer Drawing
		chr	M.GRAY	3/22/00	
		appd	M.GRAY	3/22/00	
sheet index	revision sheet				

FCJ  
FCJconnect.com  
Copyright FCJ

PRODUCT NO  
77031-106



SCREW MOUNTED OPTION  
(SCALE 30:1)

mat'l. code		surface		tolerance		projection		product family	
SEE TABLE		ISO 1302 ✓		ISO 406 ISO 1101				HPC	
ltr	ecn	no	dr	date	tolerances unless otherwise specified		title		
H					angles	linear	INCH/MM		CENTER GUIDE PIN
					0°±2'	.XX±.01/.3 .XXX±.005/.13 .XXXX±.0020/.05	scale 1:1		
			dr	LSANDERS	3/22/00			dwg no	
			enr	M.GRAY	3/22/00			sheet 4 of 5 size	
			chr	M.GRAY	3/22/00			77031 A3	
			appd	M.GRAY	3/22/00			type Product Customer Drawing	
sheet	revision								
index	sheet								

Copyright FCI  
 FCIconnect.com

PRODUCT NO  
77031-113

GUIDE PIN(P/N 77031-113)

HEADER(P/N 50010)

RECPT.(P/N 50302)

.027 [0.69]

.035 [0.89]

.583 [14.81]  
MAX. STACK

PC BOARD

MOUNTING  
FRAME



Copyright FCI

mat'l. code		surface		tolerance		projection		product family	
SEE TABLE		ISO 1302 ✓		ISO 406 ISO 1101				HPC	
ltr		ecn no/dr		date		tolerances unless otherwise specified		title	
H						angles linear $.xx \pm .01 / .3$ $.xxx \pm .005 / .13$ $.xxxx \pm .0020 / .05$		INCH/MM	
				0'±2'				scale 1:1	
		dr		LSANDERS		3/22/00		dwg no	
		enr		M.GRAY		3/22/00		sheet 5 of 5 size	
		chr		M.GRAY		3/22/00		77031 A3	
		appd		M.GRAY		3/22/00		type Product Customer Drawing	
sheet index		revision sheet							

form: A3